

ALANA OVER TOILET STORAGE

URBAN OUTFITTERS

Assembly Instructions

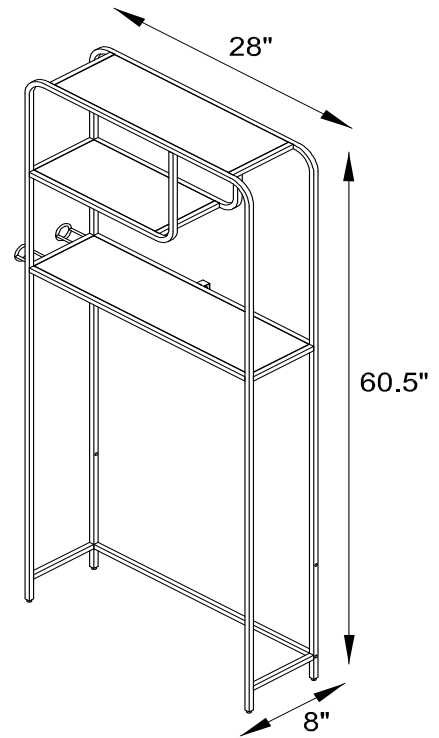
TOOLS REQUIRED BUT NOT INCLUDED
Drill, Phillips head screwdriver, Hammer, Pencil

WARNINGS:

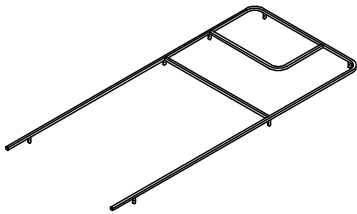
At least two people recommended for assembly
Do not throw away packing materials and carton until after assembly.
Ensure all parts are present prior to assembly.
Contact customer service immediately if parts are missing.
Assemble all parts on a clean smooth surface.
Attach Dresser to the wall to prevent tipping - that can cause damage and/or bodily injury.

CARE INSTRUCTIONS:

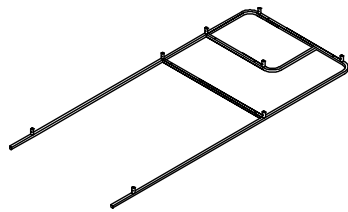
Avoid direct exposure to sunlight.
Blot spills with a clean, white cloth; do not rub.
Do not use harsh chemicals.
Before cleaning any part, test a small spot in a hidden area.
Do not place over heat or air conditioning vents.
Do not over-tighten the parts.
The parts may loosen after initial use; re-tighten as necessary.



PARTS INCLUDED



A) Front Metal Frame



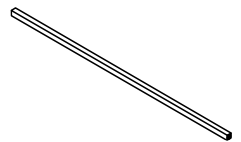
B) Rear Metal Frame



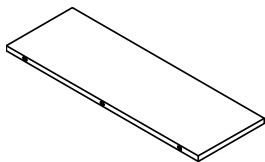
C) Hook rail



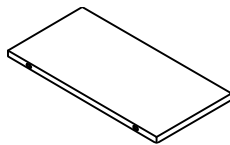
D) Short Cross rail
x 7



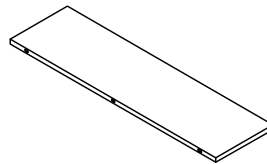
E) Bottom rail



F) Top Shelf



G) Middle Shelf



H) Bottom Shelf



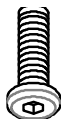
I) Adjustable levelers
x 4



J) Bolt [M5xL10mm]
x 32



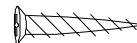
K) Bolt [M6x10mm]



L) Bolt [M6x30mm] x 2



M) Anti-tip bracket



N) Wall Screw [4x32]



O) Drywall Anchor



P) Allen Key (3mm)



Q) Allen Key (4mm)

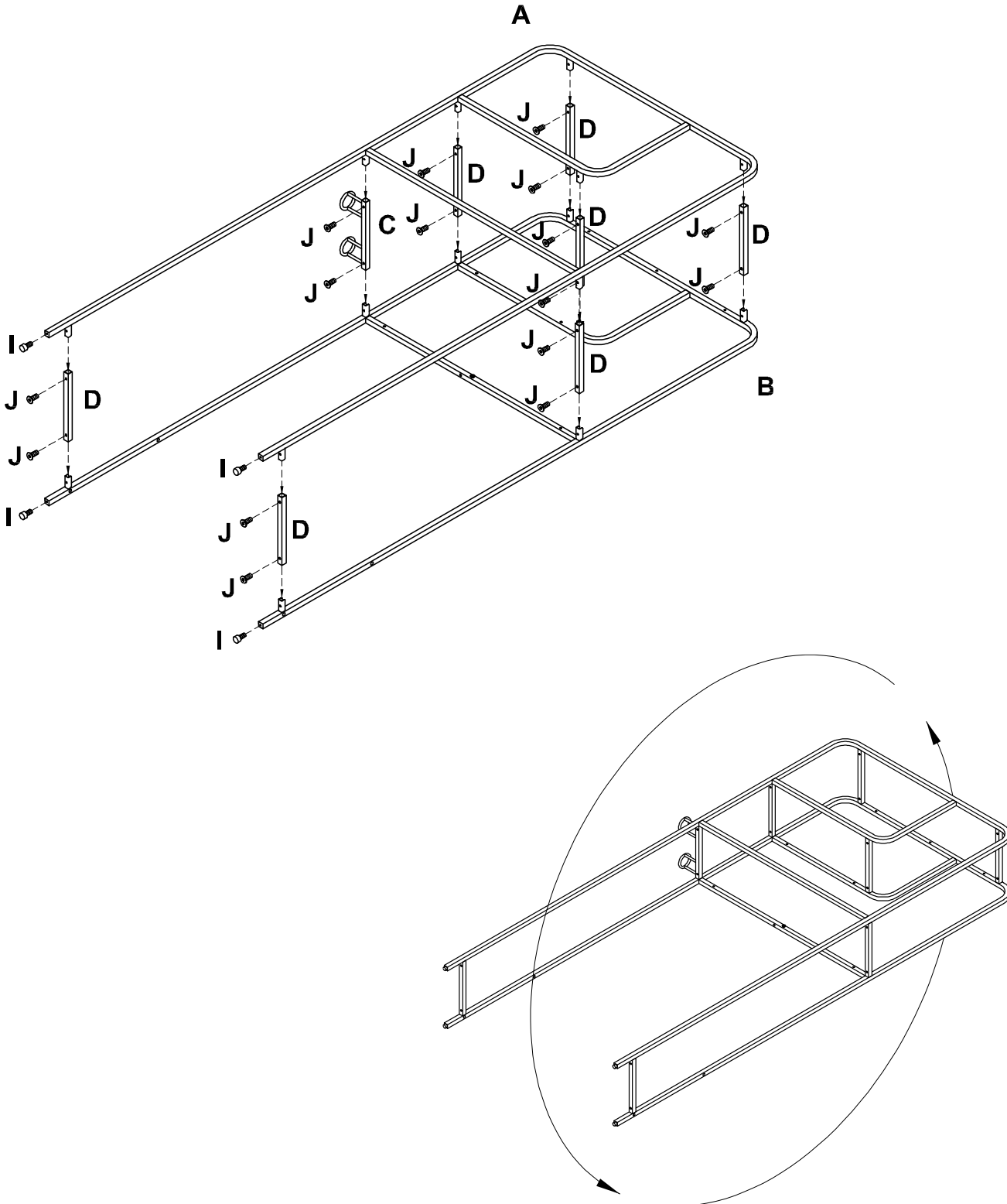
ALANA OVER TOILET STORAGE

URBAN OUTFITTERS

Assembly Instructions

STEP 1

Lay down all the parts onto the clean carpet or cardboard for assembly. Align front metal frame (A), back metal frame (B) with short cross rails (D), and hook rail (C). Insert bolts (J) and partially tighten with Allen key (P). Once all bolts are inserted and partially tightened, fully tighten the bolts. Screw adjustable levelers (I) into metal frame. With help, flip the storage upright.



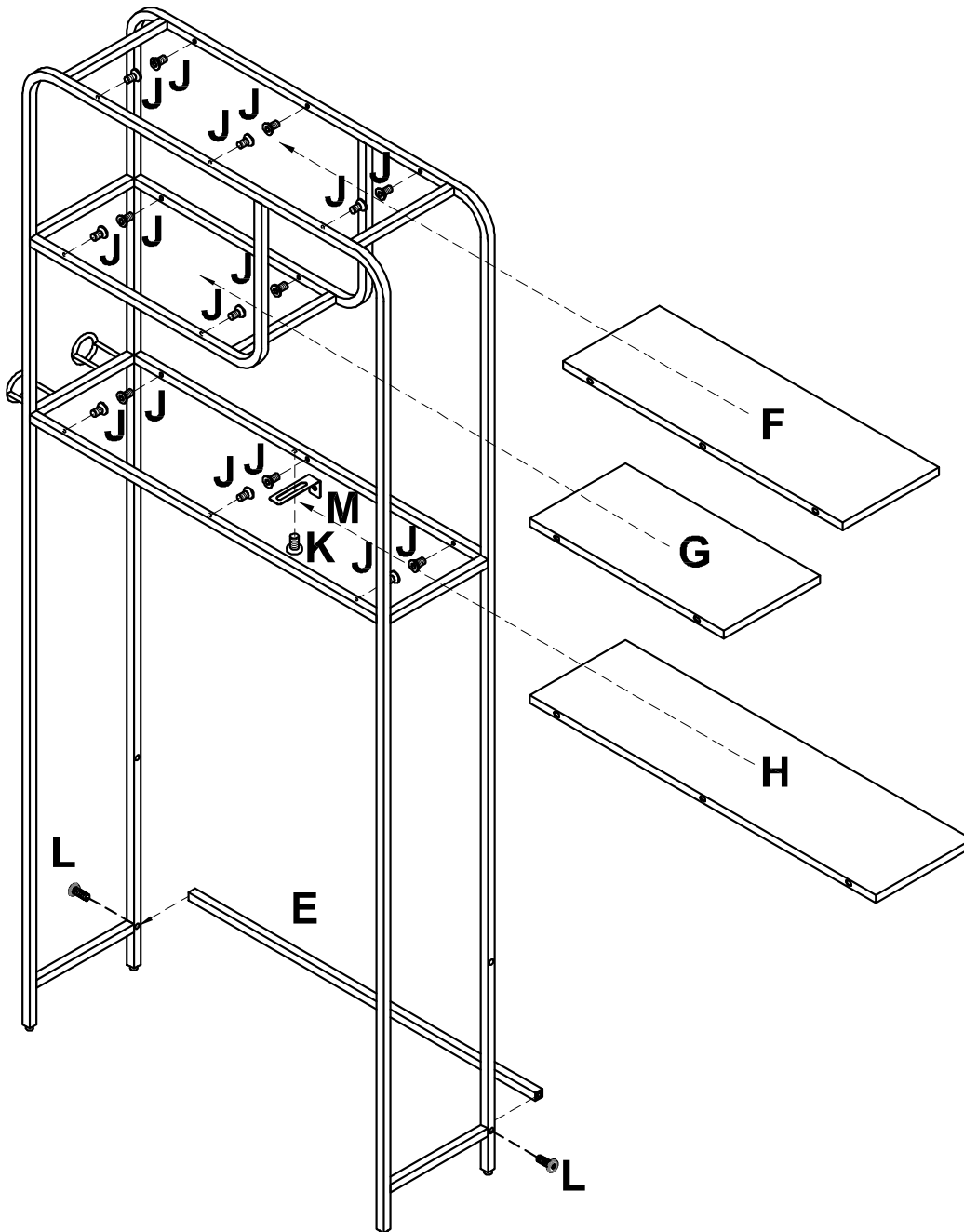
ALANA OVER TOILET STORAGE

URBAN OUTFITTERS

Assembly Instructions

STEP 2

Insert sheet metal shelves (F) (G) (H) with the partially assembled storage frame. Insert bolts (J) and partially tighten with Allen key (P). Once all bolts are inserted and partially tightened, fully tighten the bolts. Double check the location of plumbing fixtures behind your toilet to determine if the cross rail (E) can be installed before the storage is put in place, or if it should be installed after it is in place. Once determined, attach the cross rail (E) with the bolts (L) and the Allen Key (P). Attach the anti-tip bracket (M) with bolt (K) using Allen key (Q). Place the storage in its intended location if the cross rail (E) was able to be installed prior to placing the storage behind your toilet.



Assembly Instructions

STEP 3

Mark the location of the hole in the anti-tip bracket (M) on the wall.

Stud installation:

Insert the screw (N) through the anti-tip bracket (M) and use a Phillips head screwdriver to fasten the screw (M) directly into the wall at the marked location.

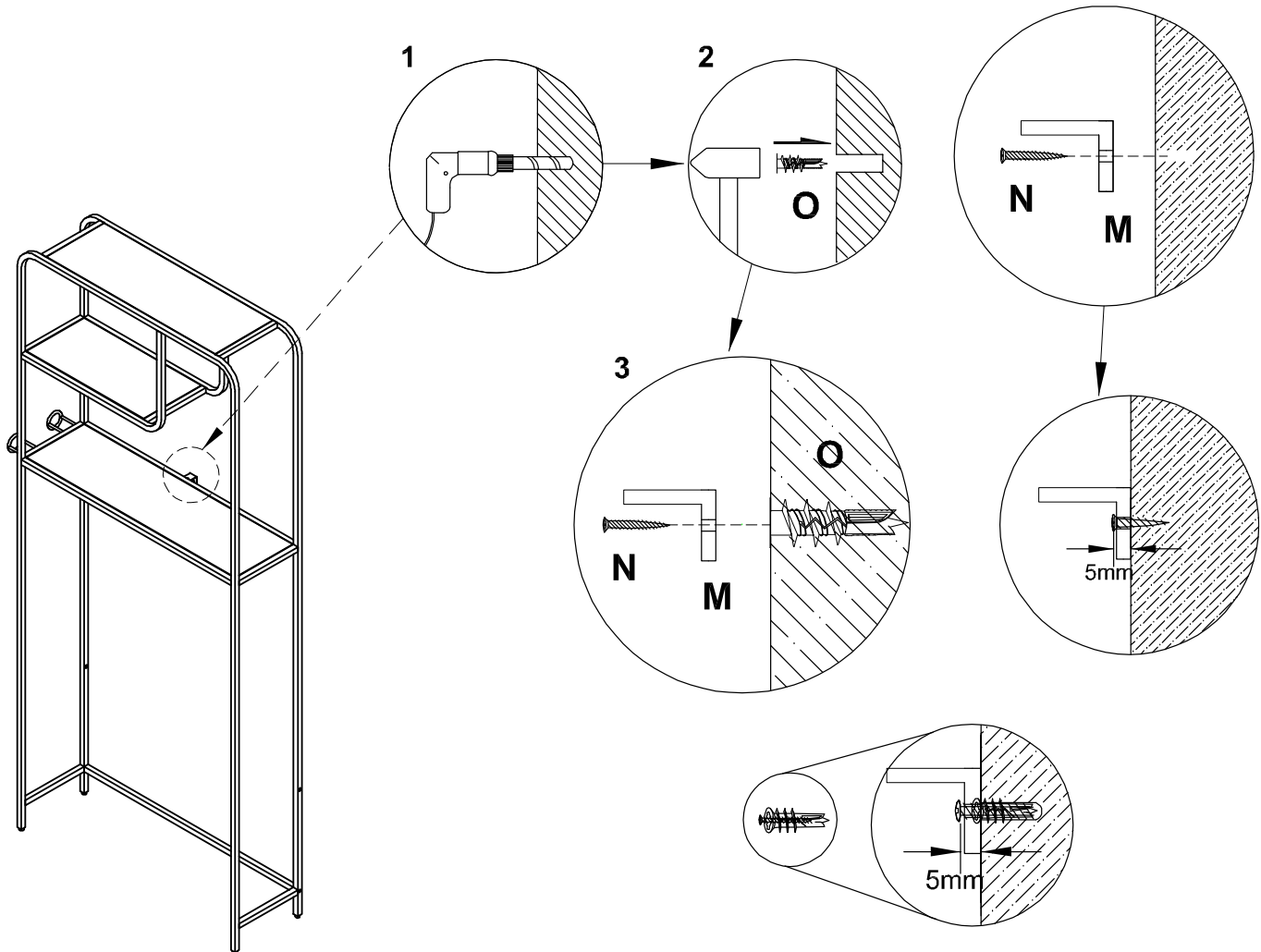
Drywall installation:

Insert anchor (O) into the wall at the marked location using a drill and a hammer. Insert screws (N) through the anti-tip bracket (M) and into the anchors, then tighten with a Phillips head screwdriver.

The included hardware is intended for attachment to drywall or wooden wall surfaces, contact your local hardware store to find the correct anchor for alternative wall-types such as stone or brick.

Drywall installation:

Wood or Stud installation:



Warning: Young children may be injured by tipping furniture, and the use of a tipping restraint is highly recommended. The tipping restraint is only a deterrent; it is not a substitute for proper adult supervision.